

Horizontal pressure leaf filter for oils & fats processing



1. Horizontal pressure leaf filter

Horizontal Pressure Leaf Filter Vessel with special bayonet wedged lock closure and suitable standard seal, to open & close the wedge lock closure, filter is equipped with Composite Power Pack Unit with two hydraulic cylinders for opening and closing bayonet ring and one cylinder shall be provided for retraction of the shell. All nozzle connections are mounted on fixed head of filter vessel and to open and close the filter vessel during cake discharge, no connection have to be disconnected. The Retractable Filter shell is mounted on a four external mounted wheel assemblies and hydraulic cylinder accomplishes the retractions. Electro hydraulic power pack unit **3-phase/480v/ 60Hz** motor including directional control valves, tubing, panel board for open / close bayonet wedge lock closure for shell retraction.

2. Scope of supply

No.	item	qty. & spec.
1	filter shell	1 pcs
2	filtration leaves	1 Set 33 Nos. each 1Set = 150 M2
3	pneumatically operated vibrator	1 set
4	frame	1 set
5	Control Panel	1 set
6	Hydraulic cylinder	3 pcs
7	Safety Valve	1 pcs
8	hydraulic station	1 set
9	spare parts	1 set of seal parts

3. Technical information

Shell:

Design : As Per ASME SEC.VIII Div I.

Design Pressure : 6.0 kg/cm².

Working Pressure : 4.5 kg/cm².

Design Temp. : 150 °C

Working Temp. : room-temperature

Hydro Test : 8.0 kg/cm².

Dia of Vessel : 2000 mm

Finish:

Outside : The External surface shall be paint with Epoxy painting.

Paint : RAL6026

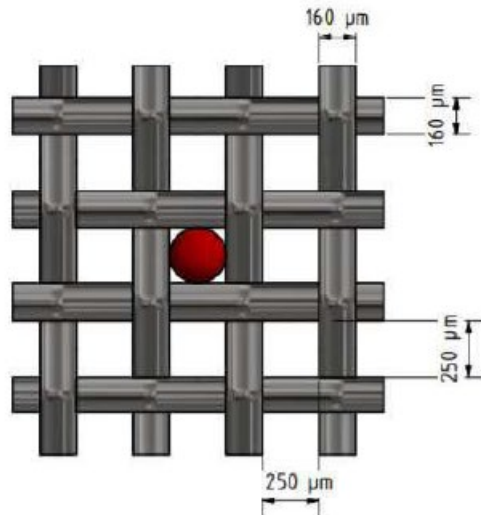
Inside : Coated with Vegetable Oil

Filter leaves:

To obtain 150M² filtration area, the filter is executed with 33 leaves. The Leaves will be of 5-layer design of the following construction.

- 4 X 4 mesh Centre Screen - 1
- 8 X 8 mesh Support Screen - 2
- 60 X 60 filter screen, **60 mesh in square weaves** - 2

60 mesh square weaves:



Material of construction:

- Shell: S.S 304
- shell flange : S.S 304
- 4 X 4 mesh and 8 X 8 mesh in S.S.304
- 60 X 60 filter screen in S.S. 316L
- O-ring: Viton

Pneumatically Operated Vibrating system- 2 Nos

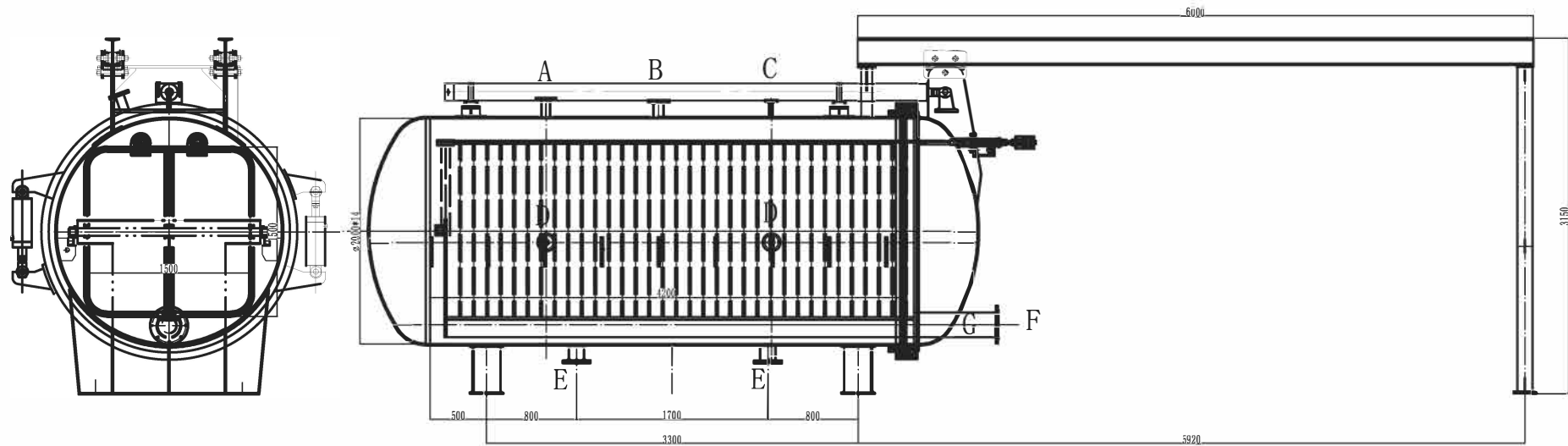
Filter will be equipped with pneumatically operated Vibrator Assembly for Cake discharge. It consists of Main Shaft, Connecting shaft, Sleeve, Spacer, Nut, Retainer, Retainer ring, Bracket, Vibrating Cylinder .

Outlet Manifold

The outlet Manifold is replaceable type. It is having 33 Nos. Nozzle opening for positioning leaves on appropriate Pitch. The manifold is mounted together at the rear end of the filter and is equipped with a stationary cake plow to clean the bottom of the filter tank.

4. Warrantee

Warranty is limited to 12 months after date of acceptance or 18 months after shipment, whichever comes first. Condition for this warranty is observation of our terms of installation for electrical equipment. The liability does not relate to natural wear and tear, spares parts, as well as damaged that caused by incorrect or careless treatment or unsuitable operation material and repaired means, which occur without our fault.



特性表

设计压力MPa	0.7	筒体直径	Φ2000
工作压力MPa	0.5	滤网	33片
设计温度℃	<100	网距	120
工作温度℃	常温	筒体材料	Q235

管口表

序号	公称直径	公称压力	法兰标准	密封面形式	用途
A	DN80	PN1.0MPa	GB9116-88	RF	压缩空气口
B	DN100	PN1.0MPa	GB9116-88	RF	溢流口
C	DN25	PN1.0MPa	GB9116-88	RF	压力表口
D1-D2	DN65	PN1.0MPa	GB9116-88	RF	进料口
F	DN200	PN1.0MPa	GB9116-88	RF	出料口
E	DN125	PN1.0MPa	GB9116-88	RF	压料口
G	DN250	PN1.0MPa	GB9116-88		集料管

						150卧式叶片过滤机						
标记	处数	分区	更改文件号	签名	年、月、日							
设计			标准化			SEPARATECH			阶段标记	重量	比例	
审核												1:40
工艺			批准						共	张	第	张